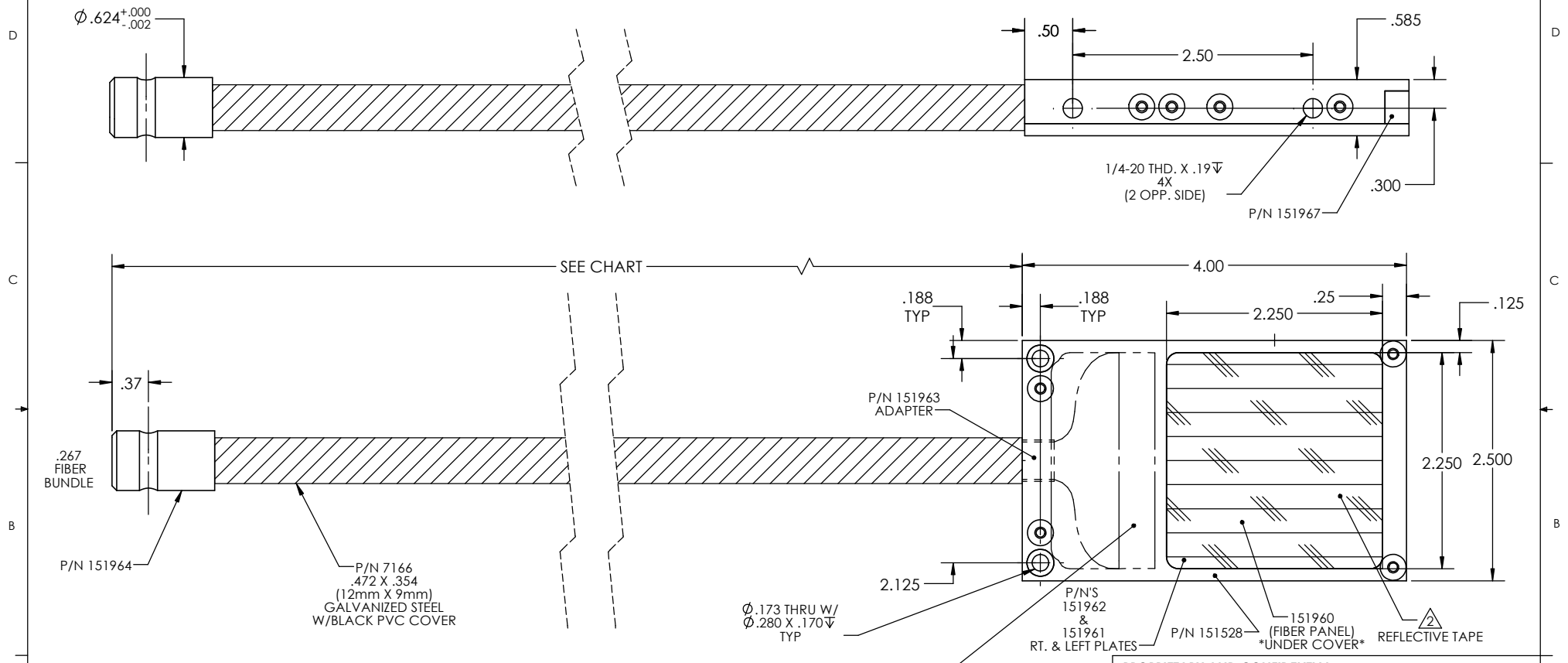


DATE	SYM	ECO#	REVISION RECORD	AUTH.	DR.	CK.
3/18/14	SEE CHART	2104	RE-DESIGN AND RE-DRAWN IN SOLID WORKS	SG	MH	RJM
07/26/2022	SEE CHART	465	ADDED COPPER TAPE (161607)	RH	JFC	MH

PART NUMBER	LENGTH	REV
FTIBL16307	36"	E
FTIBL18055	88"	E



- NOTES:
- 1) FIBER: .66NA/.002
 - 2) APPLY REFLECTIVE TAPE TO BOTTOM & SIDES OF 2 X 2 OPENING
 - 3) USE CF6
 - 4) SEE SHEET 2 FOR FIBER LINE ASSY

PROPRIETARY AND CONFIDENTIAL
 THE INFORMATION CONTAINED IN THIS DRAWING IS THE SOLE PROPERTY OF FIBEROPTICS TECHNOLOGY. ANY REPRODUCTION IN PART OR AS A WHOLE WITHOUT THE WRITTEN PERMISSION OF FIBEROPTICS TECHNOLOGY IS PROHIBITED.

UNLESS OTHERWISE SPECIFIED:		NAME	DATE
DRAWN	MH	3/18/14	
CHECKED	RJM	03/26/14	
ENG APPR.	RJM	03/26/14	
MFG APPR.	RJM	03/26/14	
Q.A.			
INTERPRET GEOMETRIC TOLERANCING PER:		COMMENTS:	
MATERIAL			
FINISH			
DO NOT SCALE DRAWING			

TITLE: 2 X 2 BACK LIGHT ASSEMBLY		
SIZE B	DWG. NO. SEE CHART	REV SEE CHART
SCALE: 1:1	WEIGHT:	SHEET 1 OF 2