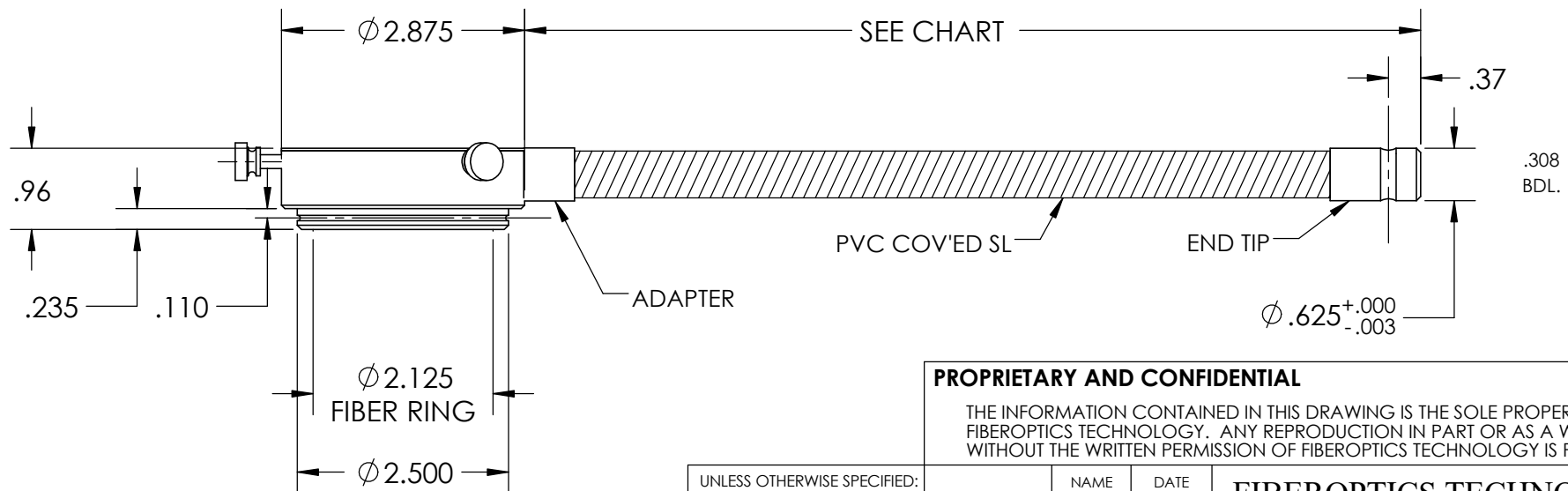
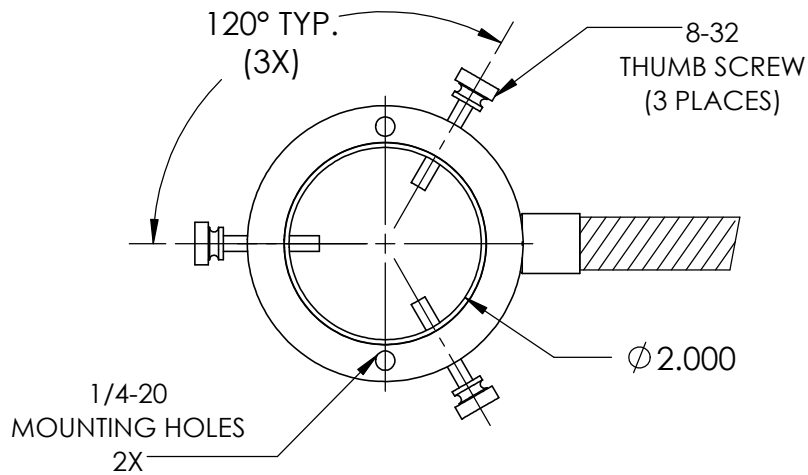


PART NUMBER	LENGTH "X"	REV
FTIRL16856-2	30"	B
FTIRL16856-2-100CM	39-3/8" (100 CM)	A
FTIRL16856-2-48	48"	A
FTIRL16856-2-60	60"	A
FTIRL16856-2-144	144"	A



NOTES:

- 1) FIBER-PureWave® XL55 OR SL55
- 2) WORKING DISTANCE-1.50"-6.00"
- 3) HOUSING, INNER SLEEVE, COVER, ADAPTER, AND END TIP-BLACK HARD COATED
- 4) .010/.012 WIDE FIBER RING

PROPRIETARY AND CONFIDENTIAL

THE INFORMATION CONTAINED IN THIS DRAWING IS THE SOLE PROPERTY OF FIBEROPTICS TECHNOLOGY. ANY REPRODUCTION IN PART OR AS A WHOLE WITHOUT THE WRITTEN PERMISSION OF FIBEROPTICS TECHNOLOGY IS PROHIBITED.

UNLESS OTHERWISE SPECIFIED:	NAME	DATE
DIMENSIONS ARE IN INCHES TOLERANCES: ANGULAR: MACH ±2° TWO PLACE DECIMAL ±.010 THREE PLACE DECIMAL ±.005	DRAWN MH	8/25/17
INTERPRET GEOMETRIC TOLERANCING PER:	CHECKED KC	9/12/17
MATERIAL -	ENG APPR. KC	9/12/17
FINISH -	MFG APPR. SG	08/20/2020
DO NOT SCALE DRAWING	Q.A.	
	COMMENTS:	

FIBEROPTICS TECHNOLOGY

TITLE:
2.000 ID RING LIGHT

SIZE A	DWG. NO. SEE CHART	REV SEE CHART
------------------	------------------------------	------------------

SCALE: 1:2 SHEET 1 OF 1