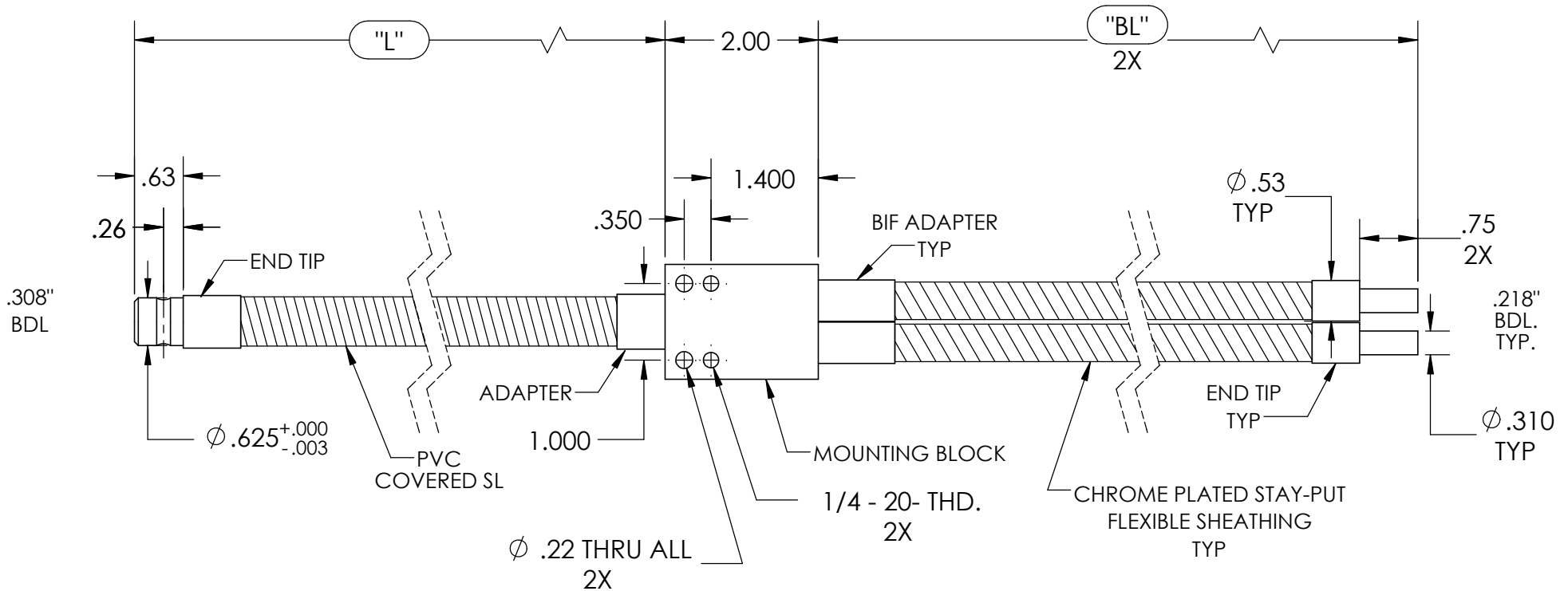


PART NUMBER	"L"	"BL"	REV
FTIIG16863-40	40	20	A
FTIIG16863-40-26	40	25	B
FTIIG16863-60	60	20	A



NOTES:

- 1) FIBER-PureWave® XL55 OR SL55
- 2) RANDOMIZED
- 3) BIF END TIPS AND ADAPERS-STST
- 4) COMMON END TIP, ADAPTER AND BLOCK BLACK HARD COAT
- 5) MINIMUM BEND RADIUS 2"

**PROPRIETARY AND CONFIDENTIAL**

THE INFORMATION CONTAINED IN THIS DRAWING IS THE SOLE PROPERTY OF FIBEROPTICS TECHNOLOGY. ANY REPRODUCTION IN PART OR AS A WHOLE WITHOUT THE WRITTEN PERMISSION OF FIBEROPTICS TECHNOLOGY IS PROHIBITED.

UNLESS OTHERWISE SPECIFIED:		NAME	DATE
DIMENSIONS ARE IN INCHES	DRAWN	JFC	06/17/2019
TOLERANCES:	CHECKED	MH	06/17/2019
ANGULAR: MACH ±2°	ENG APPR.	MH	06/17/2019
TWO PLACE DECIMAL ±.010	MFG APPR.		
THREE PLACE DECIMAL ±.005	Q.A.		
INTERPRET GEOMETRIC TOLERANCING PER:	COMMENTS:		
MATERIAL -			
FINISH -			
DO NOT SCALE DRAWING			

FIBEROPTICS TECHNOLOGY		
TITLE:		
<b>COMBINATION BIF LIGHT GUIDE</b>		
SIZE	DWG. NO.	REV
<b>A</b>	SEE CHART	SEE CHART
SCALE: 1:2		SHEET 1 OF 1