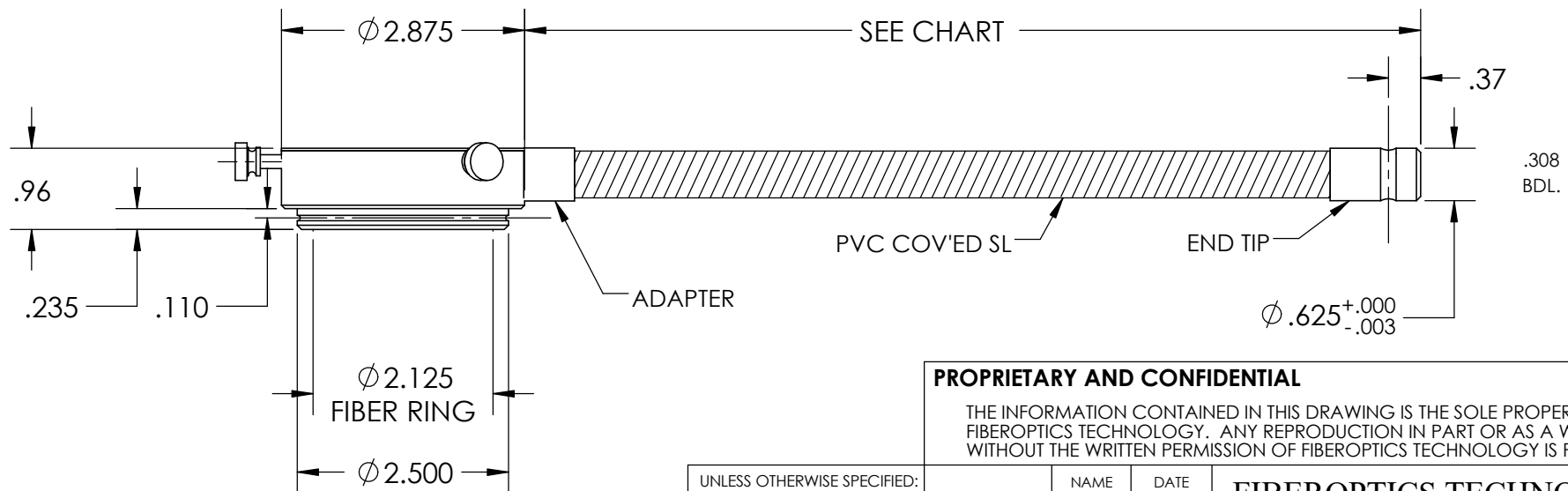
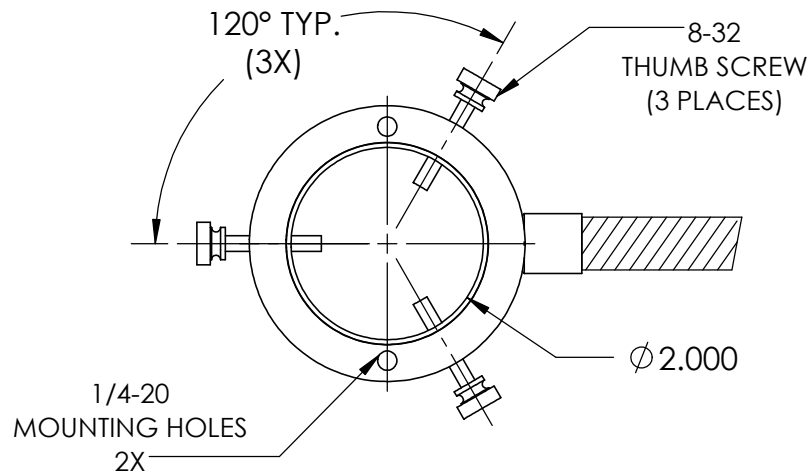


PART NUMBER	LENGTH "X"	REV
FTIRL16856-2	30"	B
FTIRL16856-2-100CM	39-3/8" (100 CM)	A
FTIRL16856-2-48	48"	A
FTIRL16856-2-60	60"	A
FTIRL16856-2-144	144"	A



NOTES:

- 1) FIBER-PURELIGHT XL55 OR SL55
- 2) WORKING DISTANCE-1.50"-6.00"
- 3) HOUSING, INNER SLEEVE, COVER, ADAPTER, AND END TIP-BLACK HARD COATED
- 4) .010/.012 WIDE FIBER RING

**PROPRIETARY AND CONFIDENTIAL**

THE INFORMATION CONTAINED IN THIS DRAWING IS THE SOLE PROPERTY OF FIBEROPTICS TECHNOLOGY. ANY REPRODUCTION IN PART OR AS A WHOLE WITHOUT THE WRITTEN PERMISSION OF FIBEROPTICS TECHNOLOGY IS PROHIBITED.

UNLESS OTHERWISE SPECIFIED:	NAME	DATE	FIBEROPTICS TECHNOLOGY	
DIMENSIONS ARE IN INCHES TOLERANCES: ANGULAR: MACH ±2° TWO PLACE DECIMAL ±.010 THREE PLACE DECIMAL ±.005	DRAWN	MH	8/25/17	<b>TITLE:</b> <h1>2.000 ID RING LIGHT</h1>
	CHECKED	KC	9/12/17	
	ENG APPR.	KC	9/12/17	
	MFG APPR.	SG	08/20/2020	
INTERPRET GEOMETRIC TOLERANCING PER:	Q.A.			<b>SIZE</b> DWG. NO. <b>REV</b> <b>A</b> <b>SEE CHART</b> <b>SEE CHART</b>
MATERIAL	COMMENTS:		SCALE: 1:2 SHEET 1 OF 1	
FINISH				
DO NOT SCALE DRAWING				