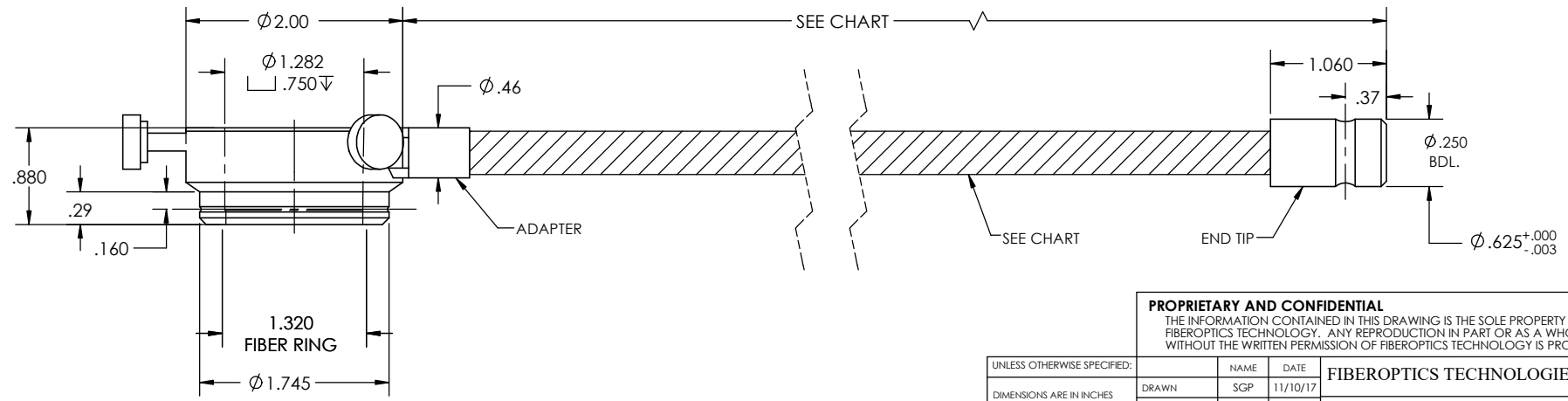
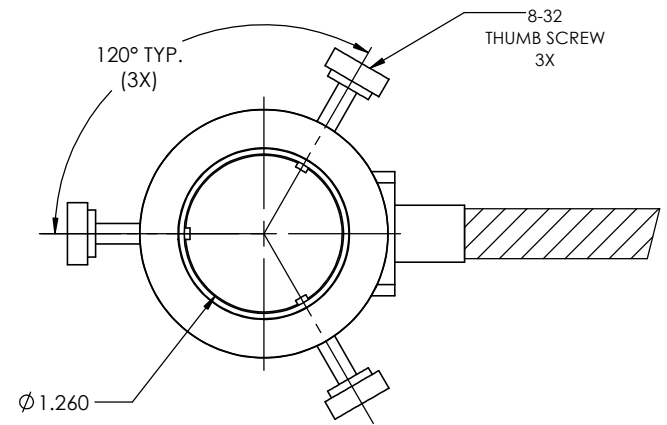


DATE	SYM	ECO#	REVISION RECORD	AUTH.	DR.	CK.
11/29/17	B	2628	CAD TO SW, ADDED L./SHTH. CHART	MH	SGP	RJM

PART NUMBER	SHEATHING MAT.	LENGTH	REV
FTIRL16856-1.25	PVC COV'ED SL	30"	B
FTIRL16856-1.25-HIGH TEMP	STST SL	30"	A
FTIRL16856-1.25-60	PVC COV'ED SL	60"	A
FTIRL16856-1.25-2M	PVC COV'ED SL	78-3/4"	A
FTIRL23415	PVC COV'ED SL	120"	A



- NOTES:
- 1) FIBER-PURELIGHT XL55 OR SL55
 - 2) WD= 1.5" TO 4"
 - 3) RING LIGHT, ADAPTER AND END TIP-BLACK HARD COATED ALUM.
 - 4) .010/.012 WIDE FIBER RING

PROPRIETARY AND CONFIDENTIAL
 THE INFORMATION CONTAINED IN THIS DRAWING IS THE SOLE PROPERTY OF FIBEROPTICS TECHNOLOGIES INC. ANY REPRODUCTION IN PART OR AS A WHOLE WITHOUT THE WRITTEN PERMISSION OF FIBEROPTICS TECHNOLOGIES INC. IS PROHIBITED.

UNLESS OTHERWISE SPECIFIED:		NAME	DATE	FIBEROPTICS TECHNOLOGIES INC.
DIMENSIONS ARE IN INCHES		SGP	11/10/17	
TOLERANCES:		MH	11/13/17	
ANGULAR: MACH ±2°		MH	11/13/17	
TWO PLACE DECIMAL ±.010		SG	08/20/2020	
THREE PLACE DECIMAL ±.005		Q.A.		
INTERPRET GEOMETRIC TOLERANCING PER:		COMMENTS:		TITLE: Ø 2.0" O.D. X 1.260 I.D. X 30" RINGLIGHT
MATERIAL				
FINISH				
DO NOT SCALE DRAWING				
SIZE	DWG. NO.	REV		
B	SEE CHART	SEE CHART		
SCALE: 1:1	WEIGHT:	SHEET 1 OF 1		