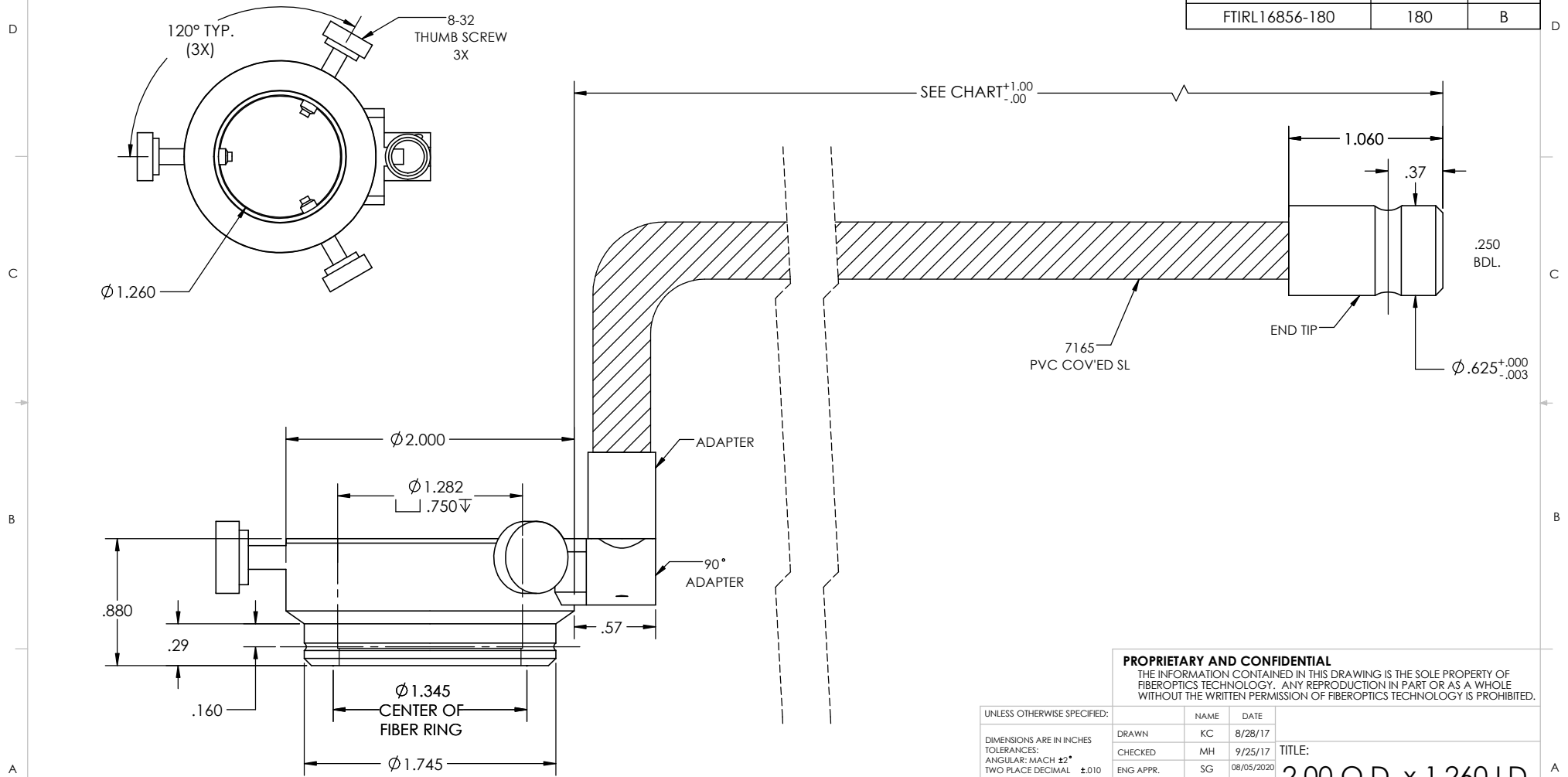


DATE	SYM	ECO#	REVISION RECORD	AUTH.	DR.	CK.
10/02/17	B	2576	CAD TO SW, AD'D CHART & INSPC. DTLS.	MH	SGP	RJM

PART NUMBER	LENGTH	REV
FTIRL16856-1.25-VE	30	B
FTIRL16856-1.25VE-60	60	B
FTIRL16856-144	144	C
FTIRL16856-180	180	B



- NOTES:
- 1) FIBER-PURELIGHT XL55 OR SL55
  - 2) WD= 1.5" TO 4"
  - 3) RING LIGHT, ADAPTERS AND END TIP-BLACK HARD COATED ALUM.
  - 4) .010/.012 WIDE FIBER RING

**PROPRIETARY AND CONFIDENTIAL**  
 THE INFORMATION CONTAINED IN THIS DRAWING IS THE SOLE PROPERTY OF  
 FIBEROPTICS TECHNOLOGY. ANY REPRODUCTION IN PART OR AS A WHOLE  
 WITHOUT THE WRITTEN PERMISSION OF FIBEROPTICS TECHNOLOGY IS PROHIBITED.

UNLESS OTHERWISE SPECIFIED:		NAME	DATE
DRAWN	KC	8/28/17	
CHECKED	MH	9/25/17	
ENG APPR.	SG	08/05/2020	
MFG APPR.			
Q.A.			
INTERPRET GEOMETRIC TOLERANCING PER:		COMMENTS:	
MATERIAL			
FINISH			
DO NOT SCALE DRAWING			

TITLE:		
<b>2.00 O.D. x 1.260 I.D. VERT. RINGLIGHT</b>		
SIZE	DWG. NO.	REV
<b>B</b>	SEE CHART	SEE CHART
SCALE: 3:2	WEIGHT:	SHEET 1 OF 1