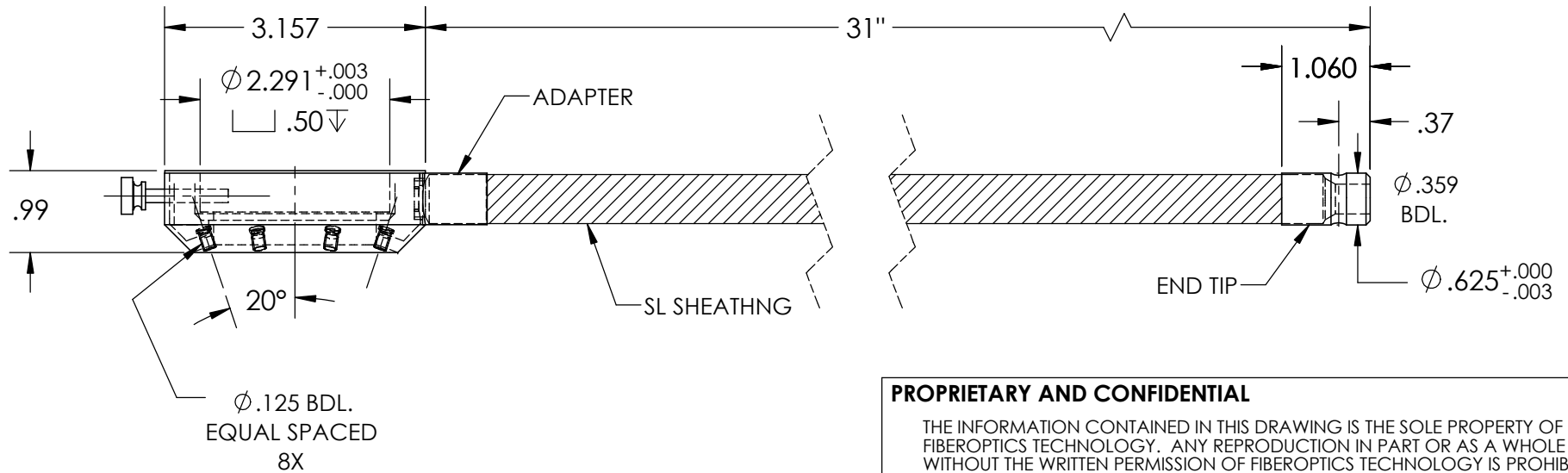
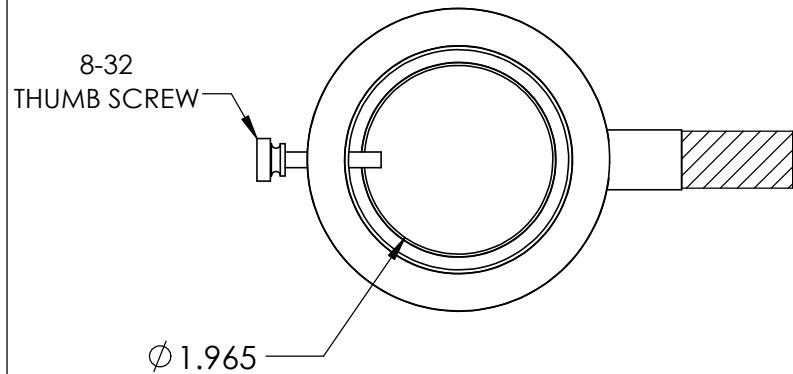


DATE	SYM	ECO#	REVISION RECORD	AUTH.	DR.	CK.



NOTES:

- 1) FIBER-PURE LIGHT XL55 OR SL55
- 2) RING LIGHT-BLACK HARD COAT
- 3) ADAPTER, END TIP AND SHEATHING 300 SERIES STST
- 4) WORKING DISTANCE-1.5"-6"

**PROPRIETARY AND CONFIDENTIAL**

THE INFORMATION CONTAINED IN THIS DRAWING IS THE SOLE PROPERTY OF FIBEROPTICS TECHNOLOGY. ANY REPRODUCTION IN PART OR AS A WHOLE WITHOUT THE WRITTEN PERMISSION OF FIBEROPTICS TECHNOLOGY IS PROHIBITED.

UNLESS OTHERWISE SPECIFIED:

DIMENSIONS ARE IN INCHES  
TOLERANCES:  
ANGULAR: MACH  $\pm 2^\circ$   
TWO PLACE DECIMAL  $\pm .010$   
THREE PLACE DECIMAL  $\pm .005$

INTERPRET GEOMETRIC TOLERANCING PER:

MATERIAL  
-

FINISH  
-

DO NOT SCALE DRAWING

	NAME	DATE
DRAWN	MH	07/29/2020
CHECKED	SG	08/05/2020
ENG APPR.	SG	08/25/2020
MFG APPR.		
Q.A.		

COMMENTS:

**FIBEROPTICS TECHNOLOGY**

TITLE:  
**RL-8-30 SPOT RING LIGHT ASSEMBLY**

SIZE	DWG. NO.	REV
<b>A</b>	<b>FTIRL10510</b>	<b>A</b>

SCALE: 1:2 SHEET 1 OF 1