

APPLICATION

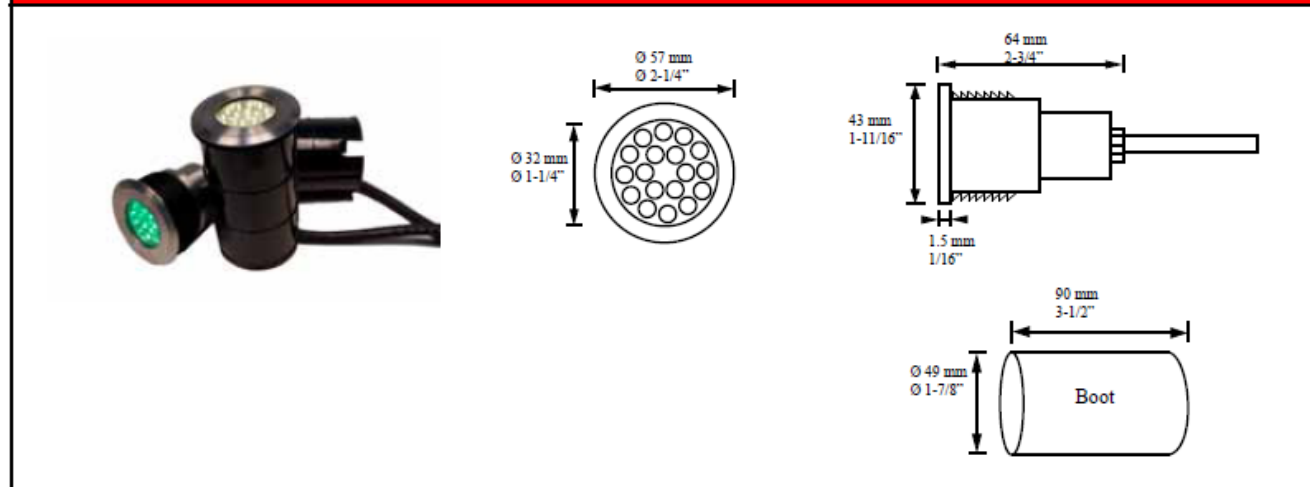
Landscaping architecture, Pathways, Floor Lighting,
Uplightings, Ponds, Water Features

LED SUBMERSIBLE POLARIS

BLFO-POL316SS-xx



Pictures and Diagrams



Lighting Features	
LED	18 x Ultra Bright LEDs, 0.07 W
BEAM ANGLE	35 °
COLOURS	Warm White (2700 K), Cool White (5500 K), Green, Blue, Red, Yellow
AVG LIFE	White: 30,000 hr Colour: 50,000 hr
LUMEN	White: 30 lm Colour: 20 lm

Electrical Features	
INPUT VOLTAGE	12V AC or DC
CONNECTIONS	Requires LED Driver
POWER DRAW	1.3 W
OPERATING TEMP	-20°C to 40°C High ambient temperature will shorten LED life

Mechanical Features	
CONSTRUCTION	Stainless Steel Housing Comes with plastic mounting sleeve
CORD LENGTH	1 m (39")
WEATHERABILITY	IP 68 - Submersible 0.914 m (36") Salt Water, Some Chemicals

Mounting	
1) Fill area around boot with material, place into boot	
2) Place in 1-11/16" hole	
3) Place mounting boot in pipe and secure with solvent glue	
4) Secure with bead of silicon to ensure water tight fit	