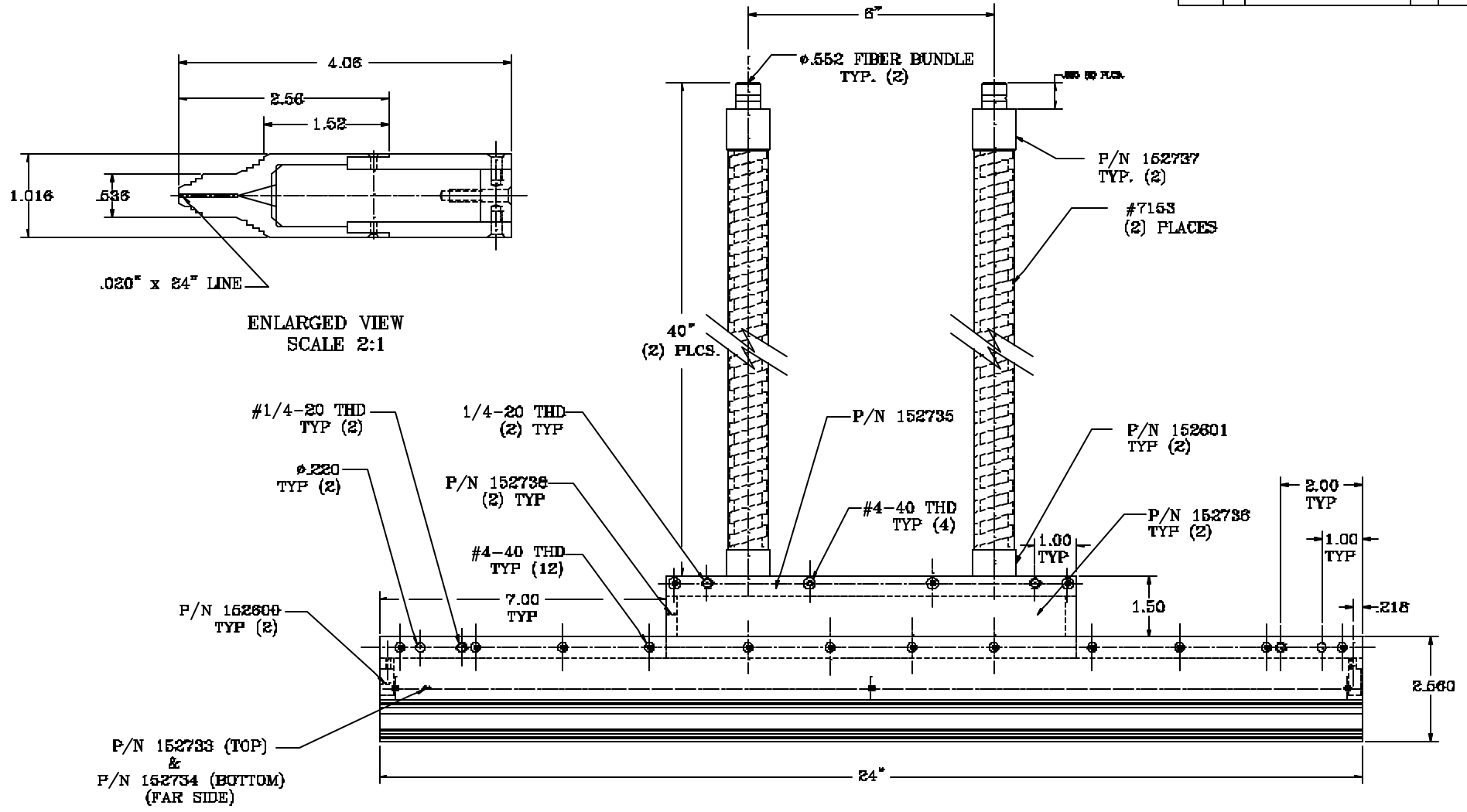


DATE	BY	REVISION	REWORK	AUTH.	CHK.	BLK.



NOTES:

- 1) FIBER-LF5 (N.A. 56) .002
- 4) HOUSING BLK. H.C. ALUM.
- 5) ALL FASTENERS STAINL. STEEL
- 6) RANDOMIZE LINE TO (2) INPUTS, UNIFORMITY ±15%

<small>Buyer's name and address, if different from that of the manufacturer, should be stated on this drawing.</small> TELEPHONE: _____ ADDRESS: _____ CITY: _____ STATE: _____		BIRCHWOOD TECHNOLOGY INC. 1000 W. 10TH ST. DENVER, CO 80202	
DRAWN BY: _____ CHECKED BY: _____ DATE: _____	TITLE: _____ SCALE: _____ QUANTITY: _____	QUANTITY: _____ DATE: _____	DATE: _____
APPROVED BY: _____ DATE: _____		DATE: _____	