

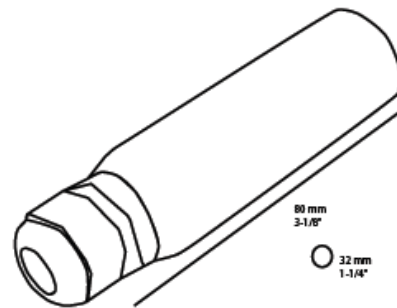
APPLICATION

LED Illuminator for Fiber Optic. Inside.

LED ILLUMINATOR



Pictures and Diagrams



Mechanical Features

CONSTRUCTION	Metal Housing
WEIGHT	0.2Kg (0.44 lb)
PORT APERTURE	0.420 to 0.570" (10 to 14mm) with bushing 200 pcs of 0.75mm fiber optic

Lighting Features

LED	5W LED
COLOR	Cool White
AVERAGE LIFE	50,000 Hrs
LUMEN	N.C

Electrical Features

INPUT VOLTAGE	5V LED Driver Do Not Plug Directly on 120V
POWER	5W
OPERATING TEMP	-20° to 40°C High ambient temperature will shorten LED life
CONTROL SYSTEM	None