

APPLICATION

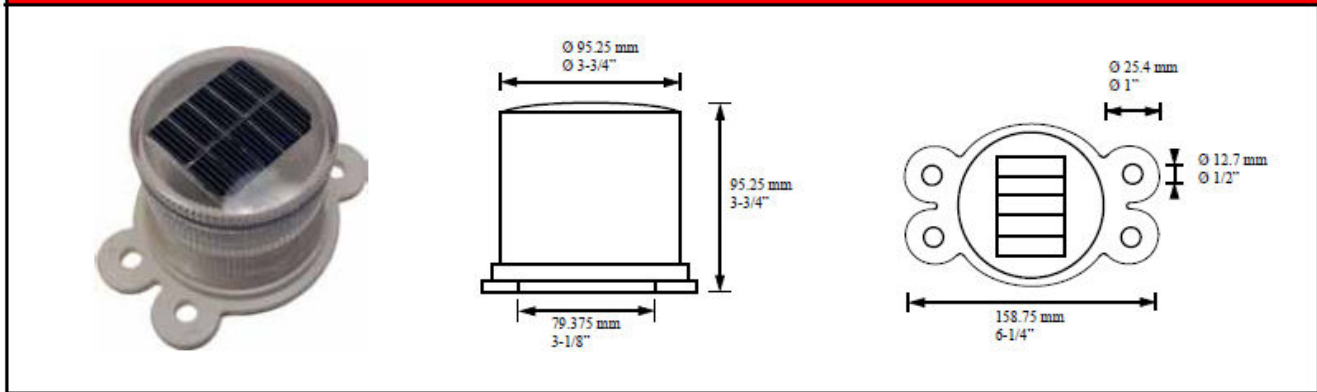
Dock Posts, Gates, Machinery, Railings, Ledges, Boats,
Landscaping, Wayfinding, Pathways
Indoors/Outdoors

DOCK BEACON

JH-017



Pictures and Diagrams



Lighting Features	
LED	6 x Japanese NICHIA LED
COLOUR	Yellow/Red/Green/Blue/White
AVG LIFE	61,000 hr
FLASH FREQUENCY	25 ± 5 min or Steady On
VISIBILITY	500 m (1640 ft)

Electrical Features	
SOLAR CELL	567 mW
POWER STORAGE	120 hr on full charge
OPERATING TEMP	-30°C to 70°C

S-Series Solar Beacons are completely integrated, self-contained units that do not require external electrical input or battery replacement for the life of the product.

Mechanical Features	
CONSTRUCTION	Plastic Housing
WEIGHT	480 g (1.1 lb)
WEATHERABILITY	Inside/Outside