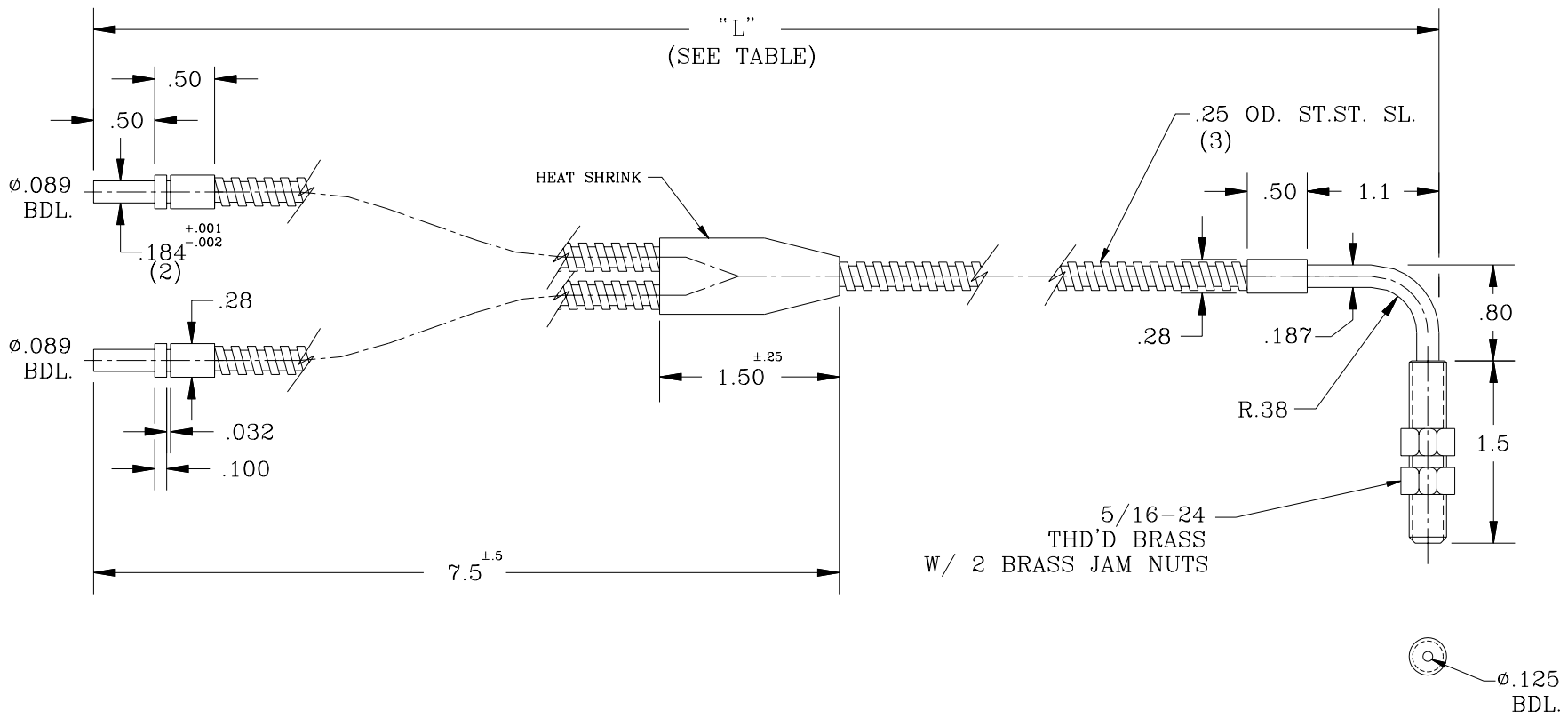


PART NUMBER	OVERALL LENGTH "L"	TOL.
GDS-125-AT-36	36"	±1.5
GDS-125-AT-48	48"	±2.0
GDS-125-AT-60	60"	±2.5
GDS-125-AT-72	72"	±3.5

DATE	SYM	REVISION RECORD	AUTH.	DR.	CK.



NOTES:
FIBER: F2 NA.66

This drawing is the property of FIBEROPTICS TECHNOLOGY, INC. and is proprietary in general and in detail. Its contents shall not be revealed to outside parties without the written consent of FIBEROPTICS TECHNOLOGY, INC.					
TOLERANCES (EXCEPT AS NOTED)		FIBEROPTICS TECHNOLOGY INC.			
DECIMAL .XXX ± .005		SCALE 2:1	DRAWN BY DPD		
DECIMAL .XX ± .010		TITLE GDS-125-AT-"L"			
ANGULAR ± 2°		DATE 07/21/04	DRAWING NUMBER SEE TABLE		