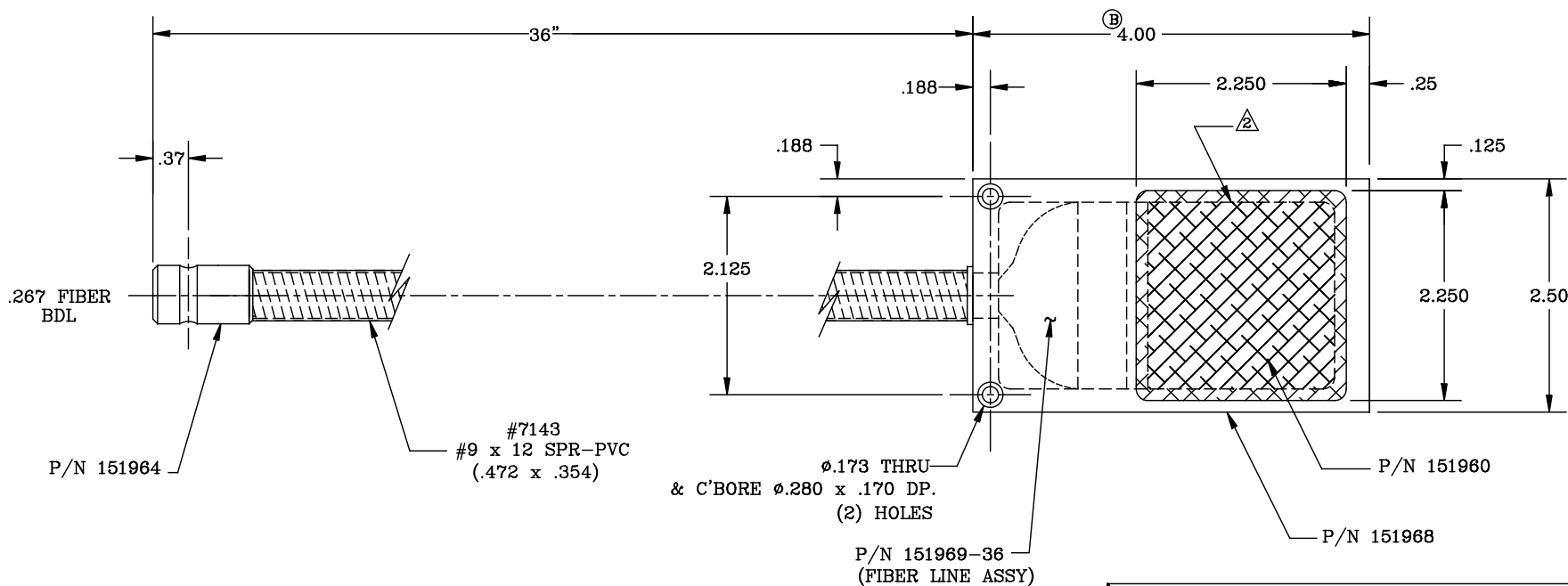
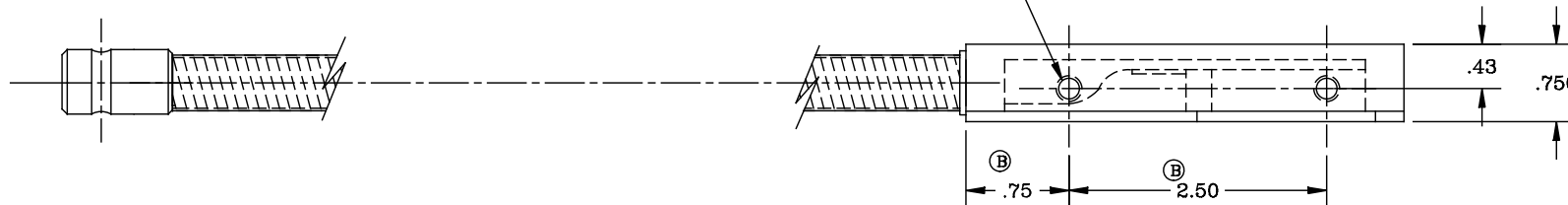


DATE	SYM	REVISION RECORD	AUTH.	DR.	CK.
8/7/01	A	ADDED NOTE #3		BW	
12/17/04	B	4.00 WAS 5.00, .75 WAS 1.00, 2.50 WAS 3.00		DPD	
3/15/06	C	REMOVED NOTE 3		DPD	

1/4-20 THD. x .19 DP.
(4) PLACES
(2 OPP. SIDE)



NOTES:

- 1) FIBER-LF5 .002
- △ APPLY REFLECTIVE TAPE TO BOTTOM & SIDES OF 2 x 2 OPENING

This drawing is the property of FIBEROPTICS TECHNOLOGY, INC. and is proprietary in general and in detail. Its contents shall not be revealed to outside parties without the written consent of FIBEROPTICS TECHNOLOGY, INC.

TOLERANCES (EXCEPT AS NOTED)				FIBEROPTICS TECHNOLOGY INC.	
DECIMAL .XXX ± .005	SCALE FULL	DRAWN BY BW			
DECIMAL .XX ± .010	TITLE 2 x 2 BACKLIGHT ASS'Y DWG.				
ANGULAR ± 2°	DATE 1/26/01	DRAWING NUMBER F'TIBL16307		REV. C	