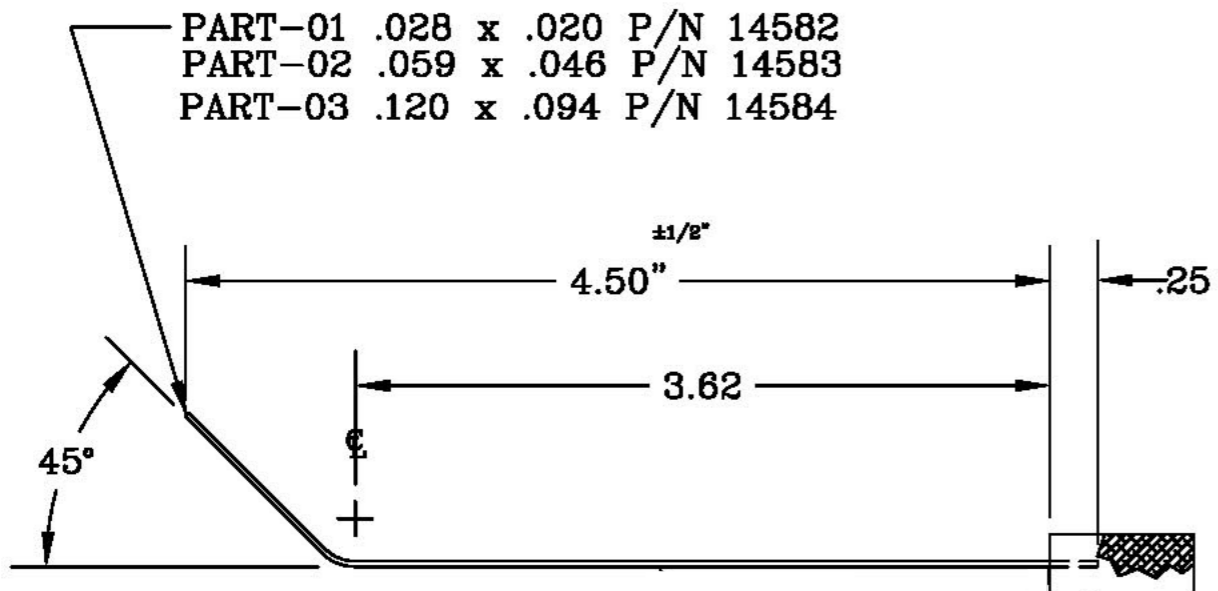
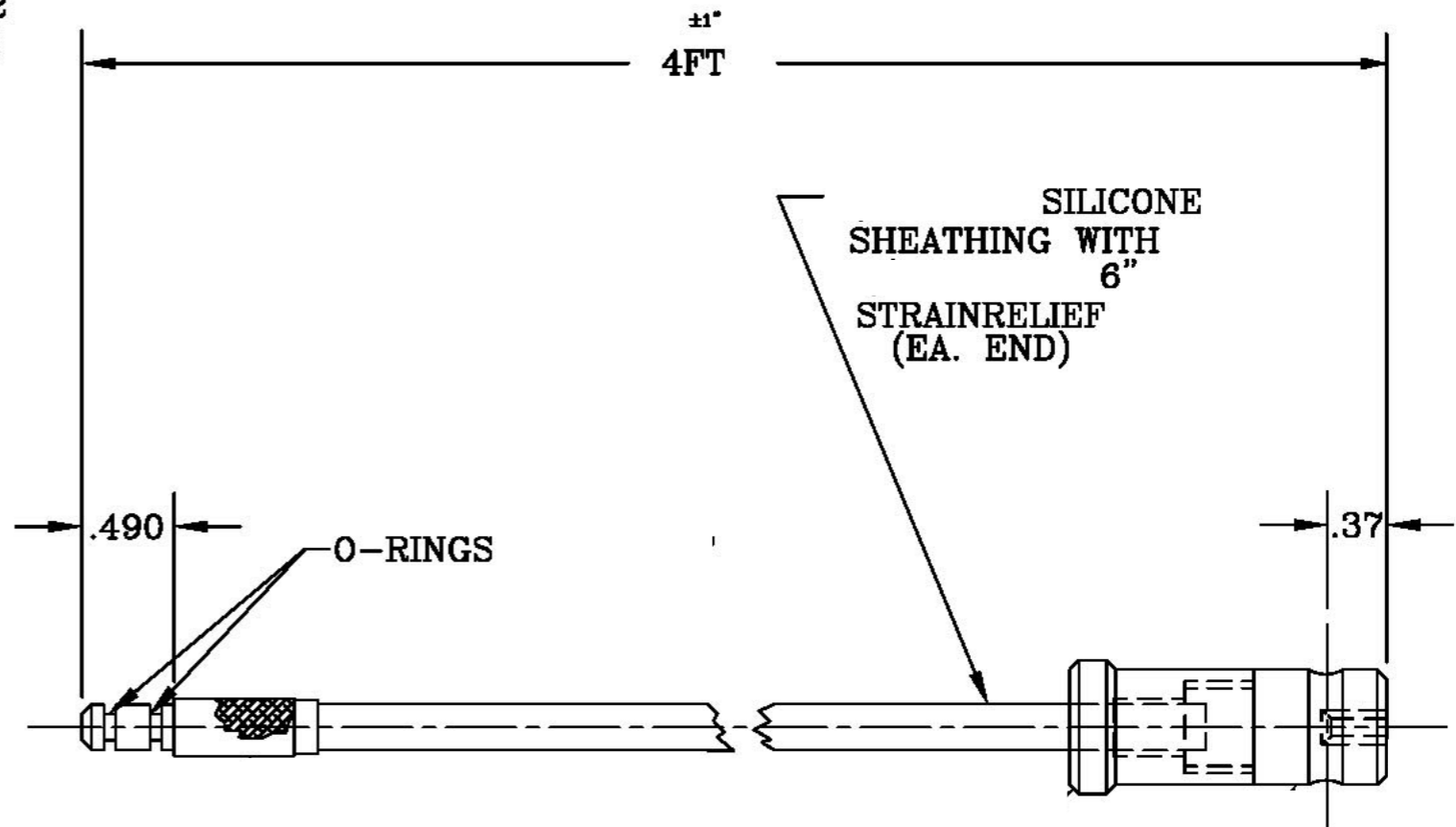


PART-01 .028 x .020 P/N 14611
 PART-02 .059 x .046 P/N 14612
 PART-03 .120 x .094 P/N 14613



PART-01 .028 x .020 P/N 14582
 PART-02 .059 x .046 P/N 14583
 PART-03 .120 x .094 P/N 14584



TOLERANCES (EXCEPT AS NOTED)	FIBEROPTICS TECHNOLOGY INC.		
DECIMAL .XXX ± .005	SCALE FULL	DRAWN BY PM	
DECIMAL .XX ± .010	APPROVED BY		
ANGULAR ± 2°	DATE 8/21/96	DRAWING NUMBER FTIIG11576	