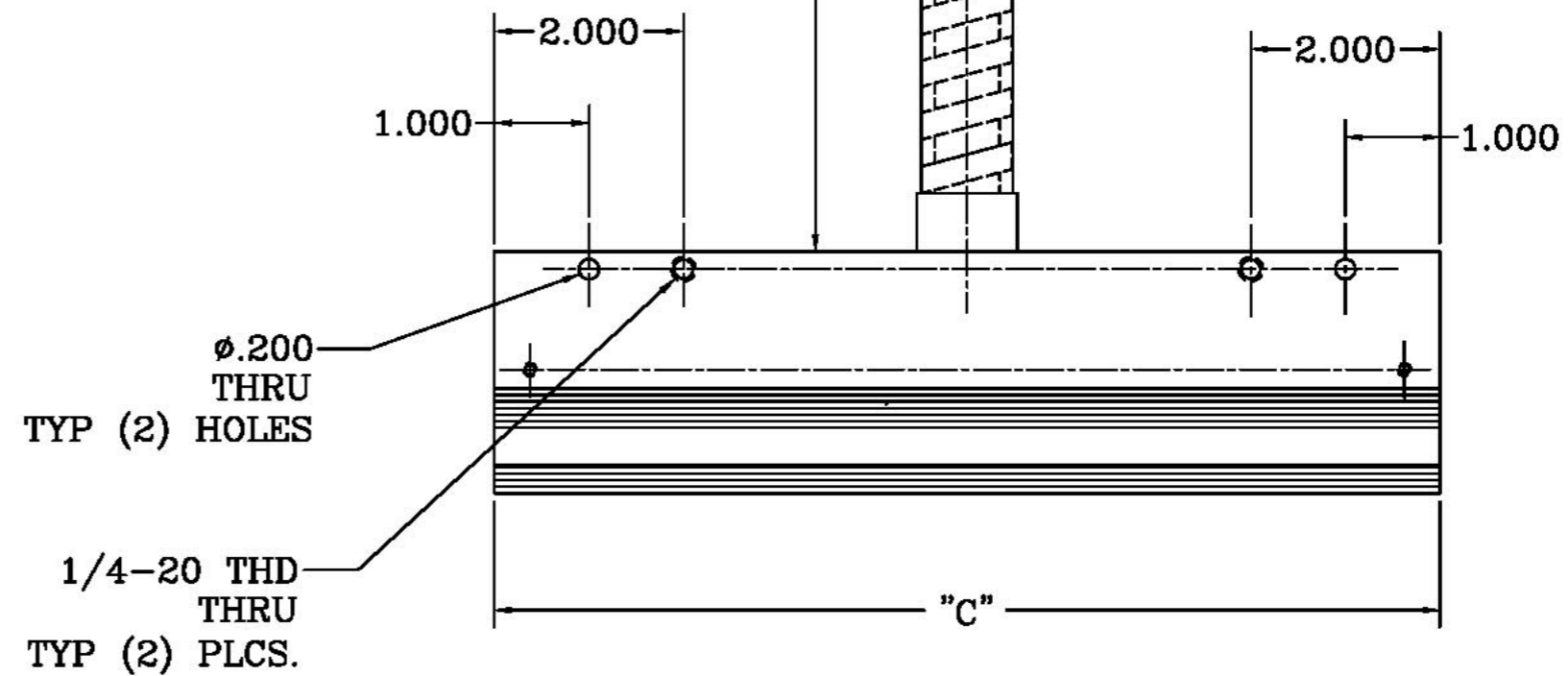
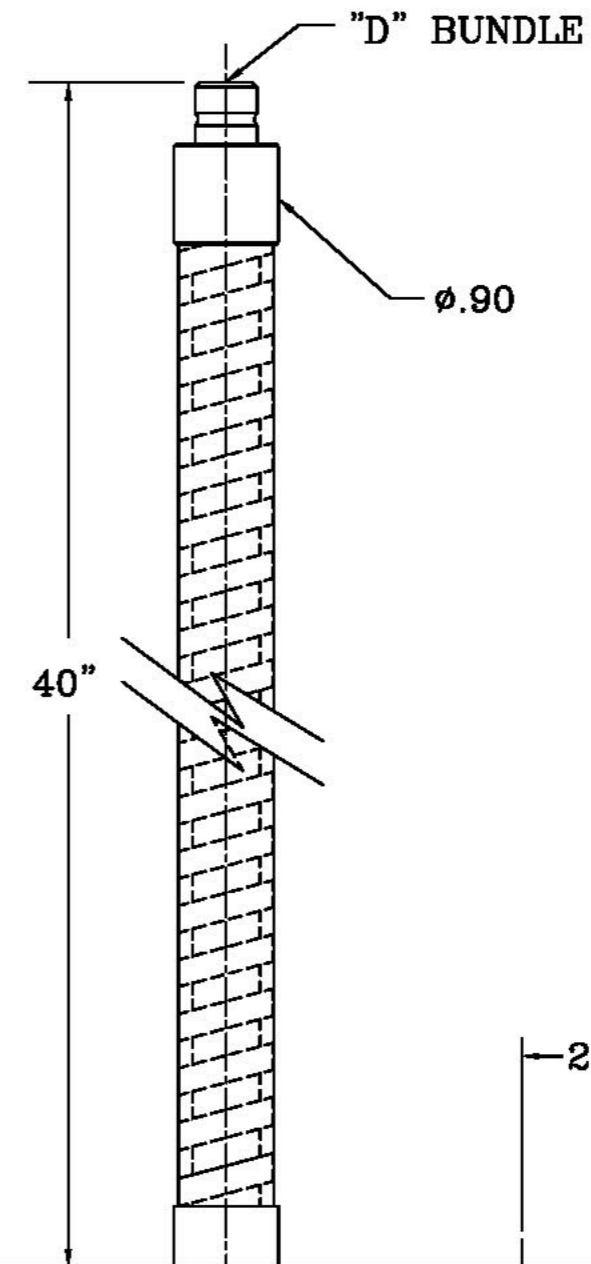
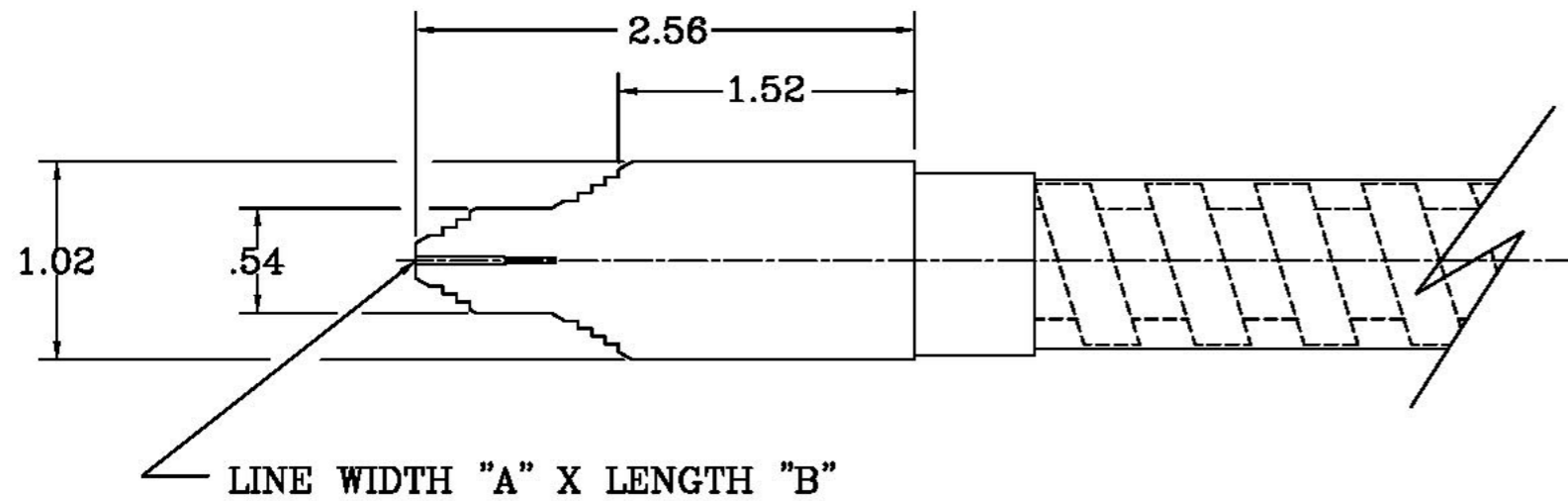


ENLARGED VIEW
SCALE 2:1



"A" X "B"	"C"	"D" BUNDLE	FTI PART NUMBER
.020 X 10"	10"	$\phi.502$	FTISL16854-10
.015 X 16"	16"	$\phi.552$	FTISL16854-16

TOLERANCES (UNLESS OTHERWISE SPECIFIED)				FIBEROPTICS TECHNOLOGY INC.	
DECIMAL XXX $\pm .005$	REF-	SCALE FULL	DESIGNED BY DPD		
DECIMAL XX $\pm .010$	10-16-LINEASSY		APPROVED BY		
ANGULAR \pm	TITLE	DATE 9/19/09	DRAWING NUMBER SEE TABLE		